

N Male to N Male Radius Right Angle Adapter, Passivated, VSWR 1.2 Max. DC-18GHz



PE91785

Configuration

- N Plug Connector 1
- N Plug Connector 2

- 50 Ohms Impedance
- Radius Right Angle Body Geometry

Features

- Max VSWR of 1.2:1 up to 18 GHz

- Gold Plated Beryllium Copper Contact

Applications

- General Purpose Test

Description

The type N radius right angle adapter PE91785 is part of our full line of available RF, microwave, and millimeter wave components from Pasternack. Our radio frequency adapter comes with a 50 Ohm impedance and a maximum VSWR of 1.2:1. This RF adapter has a plug to plug gender configuration, which provides easier connections in tighter spaces. Our type N to type N adapter is precision manufactured to RF component industry specifications and has a maximum frequency of 18 GHz. This in-series RF adapter has a dielectric withstanding voltage of 2500 Vrms.

This type N plug to type N plug adapter is one of the many RF components that ship the same business day as they are ordered. The PE91785 plug type N to plug type N adapter has a radius right angle body. This Pasternack radius right angle type N coax adapter is a 90 degree swept elbow adapter. Our RF adapter is often used to enable connections between two connector types that would otherwise not mate. This RF adapter has a 1.55-inch length, 0.75-inch width, and 0.12 lbs weight.

The PE91785 adapter from Pasternack is made from a passivated stainless steel connector body and has a beryllium copper center contact. Our type N plug to type N plug radius right angle radio frequency adapter can also be used to protect connectors on expensive equipment where the number of connect/disconnect cycles is high. This RF adapter has an operating temperature range of -65 to 165 degrees C. Additional dimensions and specifications for this in-series adapter are on our downloadable PDF datasheet above.

Pasternack has one of the largest in-stock selections of radius right angle type N to type N radio frequency adapters for international and domestic orders, including custom cable assemblies. Make your online purchase right now to take advantage of our same-business-day shipping. For further information on similar products, our expert technical support and knowledgeable sales team can help you get the high-quality 18 GHz RF adapter that meets your requirements.

Electrical Specifications

Description	Minimum	Typical	Maximum	Units
Frequency Range	DC		18	GHz
Impedance		50		Ohms
VSWR			1.2:1	
Return Loss		0.6		dB
Operating Voltage (AC)			1,500	Vrms
Dielectric Withstanding Voltage (AC)			2,500	Vrms
Inner Conductor DC Resistance			1	mOhms
Outer Conductor DC Resistance			2	mOhms
Insulation Resistance	5,000			MOhms

N Male to N Male Radius Right Angle Adapter,
Passivated, VSWR 1.2 Max. DC-18GHz



PE91785

Mechanical Specifications

Size

Length	1.55 in [39.37 mm]
Width	0.75 in [19.05 mm]
Height	1.55 in [39.37 mm]
Weight	0.12 lbs [54.88 g]

Description	Connector 1	Connector 2
Polarity	Standard	Standard
Mating Cycles, Min	500	500
Mating Torque	6 to 10 in-lbs 0.68 to 1.13 Nm	6 to 10 in-lbs 0.68 to 1.13 Nm

Material Specifications

Description	Connector 1		Connector 2	
	Material	Plating	Material	Plating
Type	N Plug		N Plug	
Contact	Beryllium Copper	Gold	Beryllium Copper	Gold
Insulation	PTFE		PTFE	
Body	Passivated Stainless Steel		Passivated Stainless Steel	
Coupling Nut	Passivated Stainless Steel		Passivated Stainless Steel	

Environmental Specifications

Temperature

Operating Range	-65 to +165 °C
-----------------	----------------

Compliance Certifications (see [product page](#) for current document)

Plotted and Other Data

N Male to N Male Radius Right Angle Adapter, Passivated, VSWR 1.2 Max. DC-18GHz from Pasternack Enterprises has same day shipment for domestic and International orders. Our RF, microwave and millimeter wave products maintain a 99.4% availability and are part of the broadest selection in the industry.

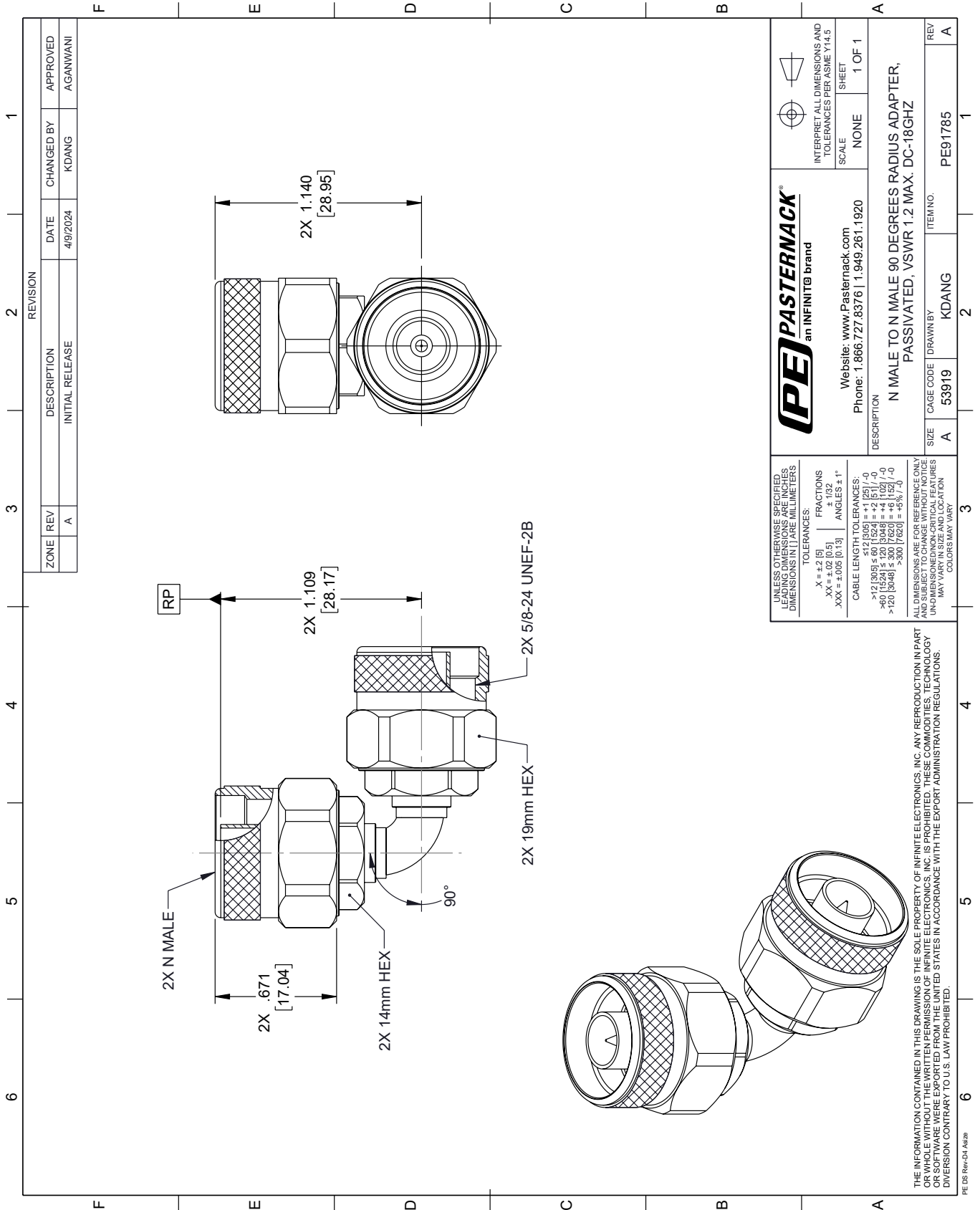
Click the following link (or enter part number in "SEARCH" on website) to obtain additional part information including price, inventory and certifications: [N Male to N Male Radius Right Angle Adapter, Passivated, VSWR 1.2 Max. DC-18GHz PE91785](#)

URL: <https://www.pasternack.com/n-plug-to-n-plug-right-angle-adapter-pe91785-p.aspx>

The information contained within this document is accurate to the best of our knowledge and representative of the part described herein. It may be necessary to make modifications to the part and/or the documentation of the part in order to impliment improvements. Pasternack Enterprises reserves the right to make such changes as required. Unless otherwise stated, all specifications are nominal. Pasternack Enterprises does not make any representation or warranty regarding the suitability of the part described herein for any particular purpose, and Pasternack Enterprises does not assume liability arising out of the use of any part or document.

PE91785 CAD Drawing

N Male to N Male Radius Right Angle Adapter, Passivated, VSWR 1.2 Max. DC-18GHz



REVISION		DATE	CHANGED BY	APPROVED	
ZONE	REV	DESCRIPTION	DATE	CHANGED BY	APPROVED
	A	INITIAL RELEASE	4/9/2024	KDANG	AGANWANI

PE PASTERNAK
an INFINIT® brand

Website: www.Pasternack.com
Phone: 1.866.727.8376 | 1.949.261.1920

INTERPRET ALL DIMENSIONS AND TOLERANCES PER ASME Y14.5
SCALE: NONE
SHEET: 1 OF 1

DESCRIPTION: N MALE TO N MALE 90 DEGREES RADIUS ADAPTER, PASSIVATED, VSWR 1.2 MAX. DC-18GHZ

SIZE: A
CAGE CODE: 53919
DRAWN BY: KDANG
ITEM NO.: PE91785

UNLESS OTHERWISE SPECIFIED, LEADING DIMENSIONS ARE IN INCHES AND DIMENSIONS IN [] ARE MILLIMETERS.
TOLERANCES:
.X = ±.2 [5]
.XX = ±.02 [0.5]
.XXX = ±.005 [0.13]
FRACTIONS: ± 1/32
ANGLES ± 1°
CABLE LENGTH TOLERANCES:
≤ 12 [305] ± .60 [15.24] = ±.2 [5] / -0
> 12 [305] ≤ 60 [1524] = ±.4 [10.2] / -0
> 60 [1524] ≤ 120 [3048] = ±.4 [10.2] / -0
> 120 [3048] ≤ 300 [7620] = ±.6 [15.24] / -0
ALL DIMENSIONS ARE FOR REFERENCE ONLY. UNDIMENSIONED/NON-CRITICAL FEATURES MAY VARY IN SIZE AND LOCATION. COLORS MAY VARY.

THE INFORMATION CONTAINED IN THIS DRAWING IS THE SOLE PROPERTY OF INFINITE ELECTRONICS, INC. ANY REPRODUCTION IN PART OR WHOLE WITHOUT THE WRITTEN PERMISSION OF INFINITE ELECTRONICS, INC. IS PROHIBITED. THESE COMMODITIES, TECHNOLOGY OR SERVICES ARE EXPORTED FROM THE UNITED STATES IN ACCORDANCE WITH THE EXPORT ADMINISTRATION REGULATIONS. DIVERSION CONTRARY TO U.S. LAW PROHIBITED.

PE DS Rev-04 Add2