



# WR-62 Waveguide Antenna, 12.4 GHz to 18 GHz Frequency Range, 20 dBi Gain, Integrated Cage-Style Mount

## Waveguide Antennas Technical Data Sheet

**PE1WAN062-20**

### Features

- WR-62 Rectangular Waveguide Interface
- 12.4 GHz to 18 GHz
- 20 dBi Nominal Gain
- Square Cover Cover Flange
- Ku Band
- Ruggedized Aluminum Cage-Style Mount
- Integrates with Positioning Systems

### Applications

- Antenna Measurements
- Wireless Communication
- Laboratory Use
- Microwave Radio Systems

### Description

The PE1WAN062-20 Ku Band standard gain horn antenna (also known as waveguide horn) from Pasternack has a nominal gain of 20 dBi. This WR-62 standard gain horn has a Square Cover type flange and integrated cage-style mount. The mount is a ruggedized aluminum mounting solution that integrates with test and measurement positioning systems, ensuring precise alignment and protection of the antenna. The Pasternack 20 dBi WR-62 horn antenna operates from 12.4 GHz to 18 GHz. The WR-62 PE1WAN062-20 waveguide horn is powder coated Aluminum for added protection and corrosion resistance. It is part of over 40,000 RF, microwave and millimeter wave components available from Pasternack.

Waveguide standard gain horn antennas are used in a wide variety of applications due to their high power handling capability, low loss, high directivity, and near constant electrical performance. Pasternack's WR-62 standard gain horns are available in 10, 15 and 20 dBi models with pyramidal shape and rectangular input. Our WR-62 standard gain horn antennas can ship worldwide the same day as it is purchased as with our other available RF parts.

### Configuration

Design	WR-62
Polarization	Linear

### Electrical Specifications

Description	Minimum	Typical	Maximum	Units
Frequency Range	12.4		18	GHz
Nominal Gain		20		dBi
Horizontal Half Power Beam Width		17.5		Degrees
Vertical Half Power Beam Width		17.3		Degrees
VSWR		1.3:1		

### Mechanical Specifications

<b>Size</b>	
Length	2.44 in [61.98 mm]
Width	2.44 in [61.98 mm]
Height	9.84 in [249.94 mm]
Weight	0.98355 lbs [446.13 g]

Click the following link (or enter part number in "SEARCH" on website) to obtain additional part information including price, inventory and certifications: [WR-62 Waveguide Antenna, 12.4 GHz to 18 GHz Frequency Range, 20 dBi Gain, Integrated Cage-Style Mount PE1WAN062-20](#)



WR-62 Waveguide Antenna, 12.4 GHz to 18 GHz Frequency Range, 20 dBi Gain,, Integrated Cage-Style Mount

## Waveguide Antennas Technical Data Sheet

**PE1WAN062-20**

### Waveguide Interface

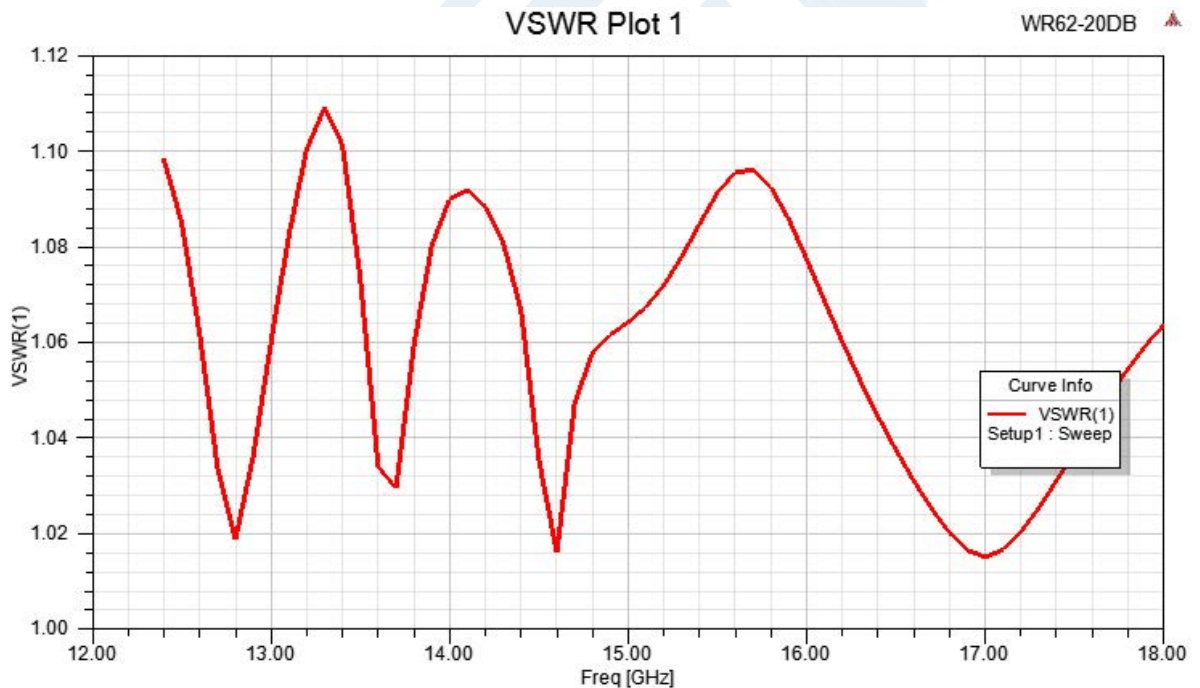
Waveguide Size  
Flange Type  
Body Material and Plating

WR-62  
Square Cover  
Aluminum, Gray

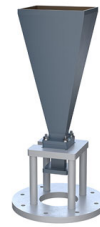
**Compliance Certifications** (see [product page](#) for current document)

### Plotted and Other Data

#### Typical Performance Data



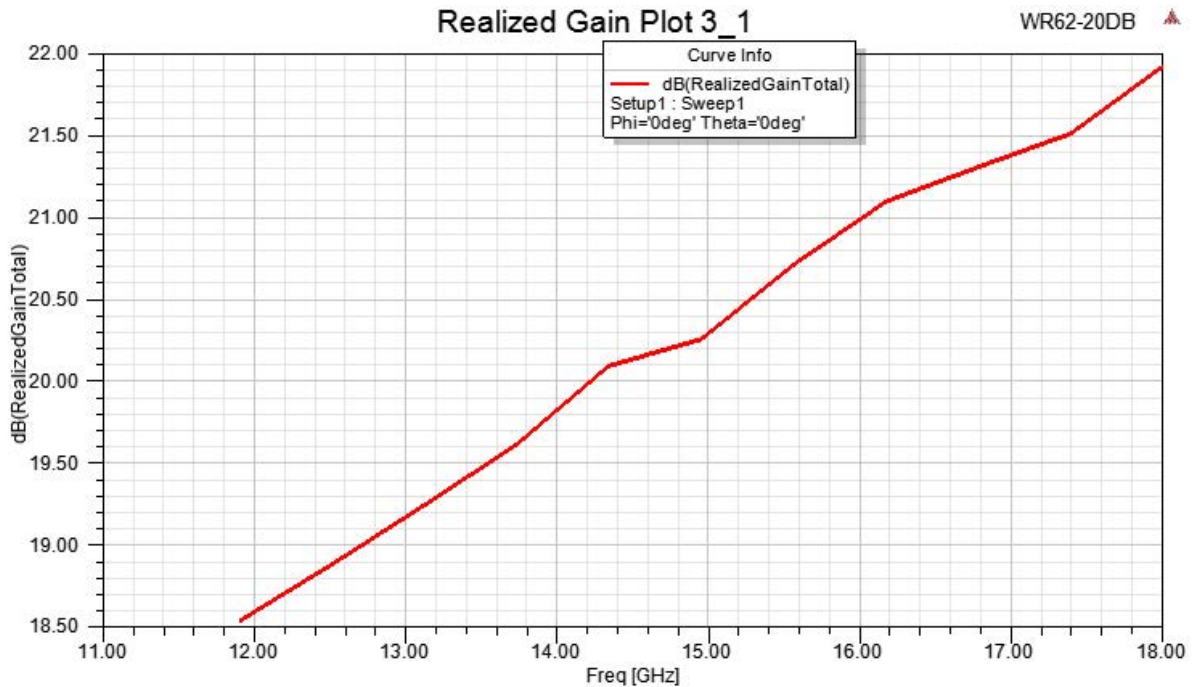
Click the following link (or enter part number in "SEARCH" on website) to obtain additional part information including price, inventory and certifications: [WR-62 Waveguide Antenna, 12.4 GHz to 18 GHz Frequency Range, 20 dBi Gain,, Integrated Cage-Style Mount PE1WAN062-20](#)



WR-62 Waveguide Antenna, 12.4 GHz to 18 GHz Frequency Range, 20 dBi Gain,, Integrated Cage-Style Mount

**Waveguide Antennas Technical Data Sheet**

**PE1WAN062-20**



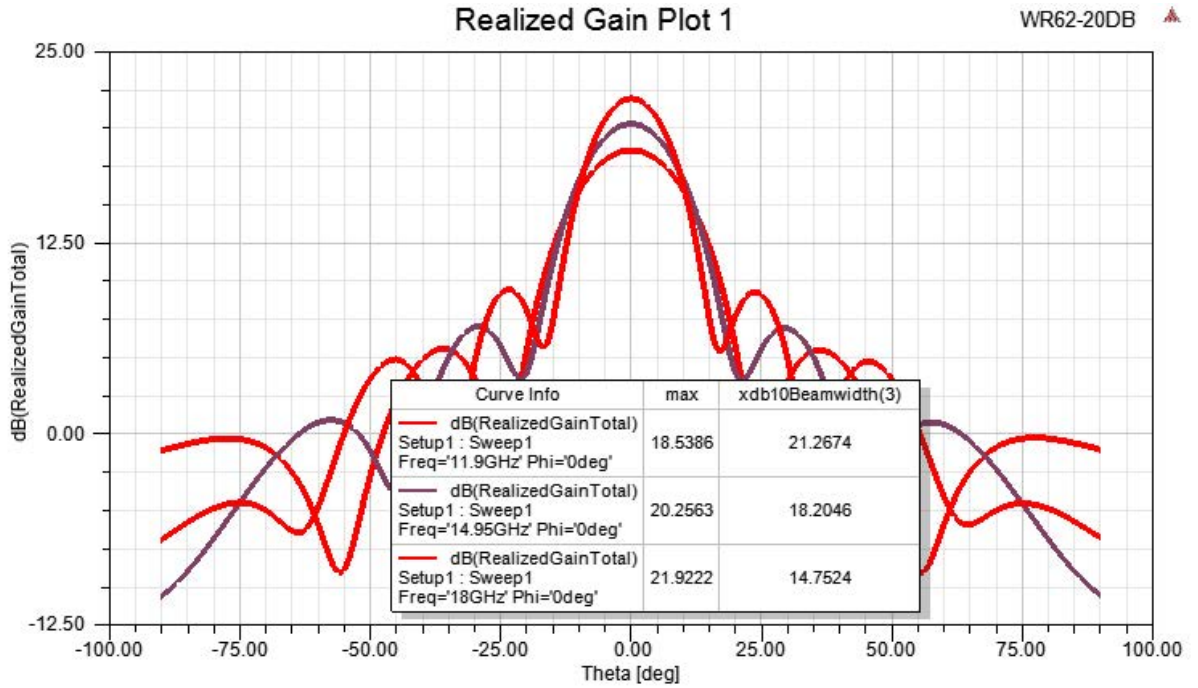
Click the following link (or enter part number in "SEARCH" on website) to obtain additional part information including price, inventory and certifications: [WR-62 Waveguide Antenna, 12.4 GHz to 18 GHz Frequency Range, 20 dBi Gain,, Integrated Cage-Style Mount PE1WAN062-20](#)



WR-62 Waveguide Antenna, 12.4 GHz to 18 GHz Frequency Range, 20 dBi Gain,, Integrated Cage-Style Mount

**Waveguide Antennas Technical Data Sheet**

**PE1WAN062-20**



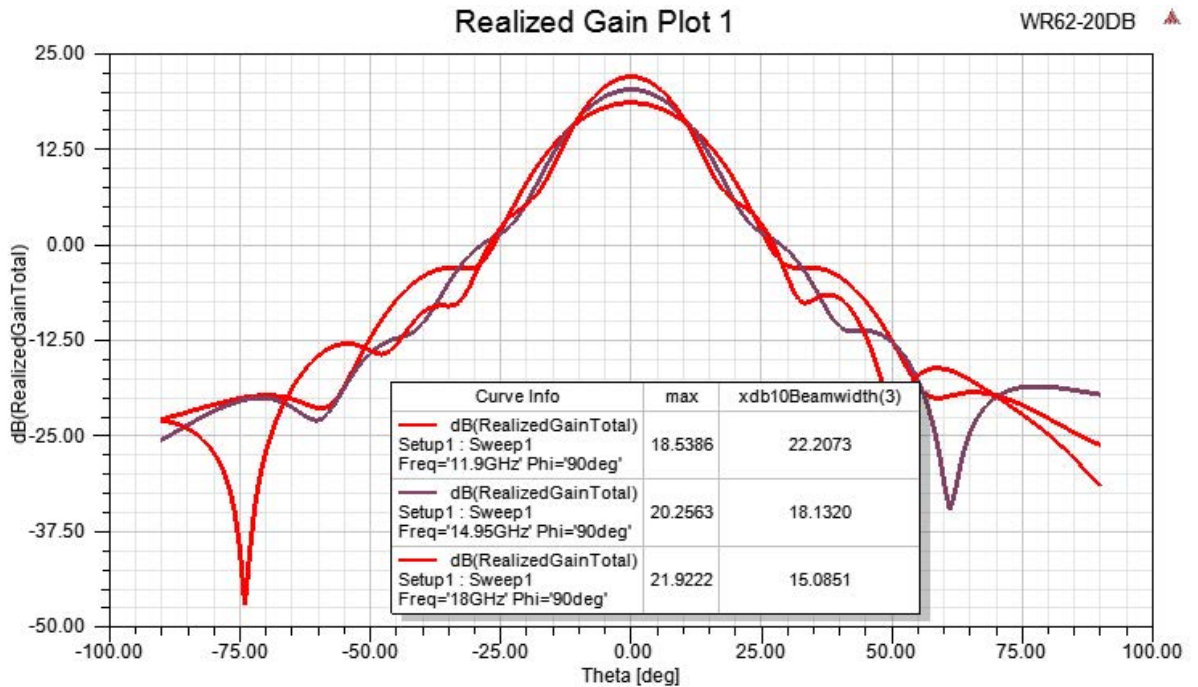
Click the following link (or enter part number in "SEARCH" on website) to obtain additional part information including price, inventory and certifications: [WR-62 Waveguide Antenna, 12.4 GHz to 18 GHz Frequency Range, 20 dBi Gain,, Integrated Cage-Style Mount PE1WAN062-20](#)



WR-62 Waveguide Antenna, 12.4 GHz to 18 GHz Frequency Range, 20 dBi Gain,, Integrated Cage-Style Mount

**Waveguide Antennas Technical Data Sheet**

**PE1WAN062-20**



WR-62 Waveguide Antenna, 12.4 GHz to 18 GHz Frequency Range, 20 dBi Gain,, Integrated Cage-Style Mount from Pasternack Enterprises has same day shipment for domestic and International orders. Our RF, microwave and millimeter wave products maintain a 99.4% availability and are part of the broadest selection in the industry.

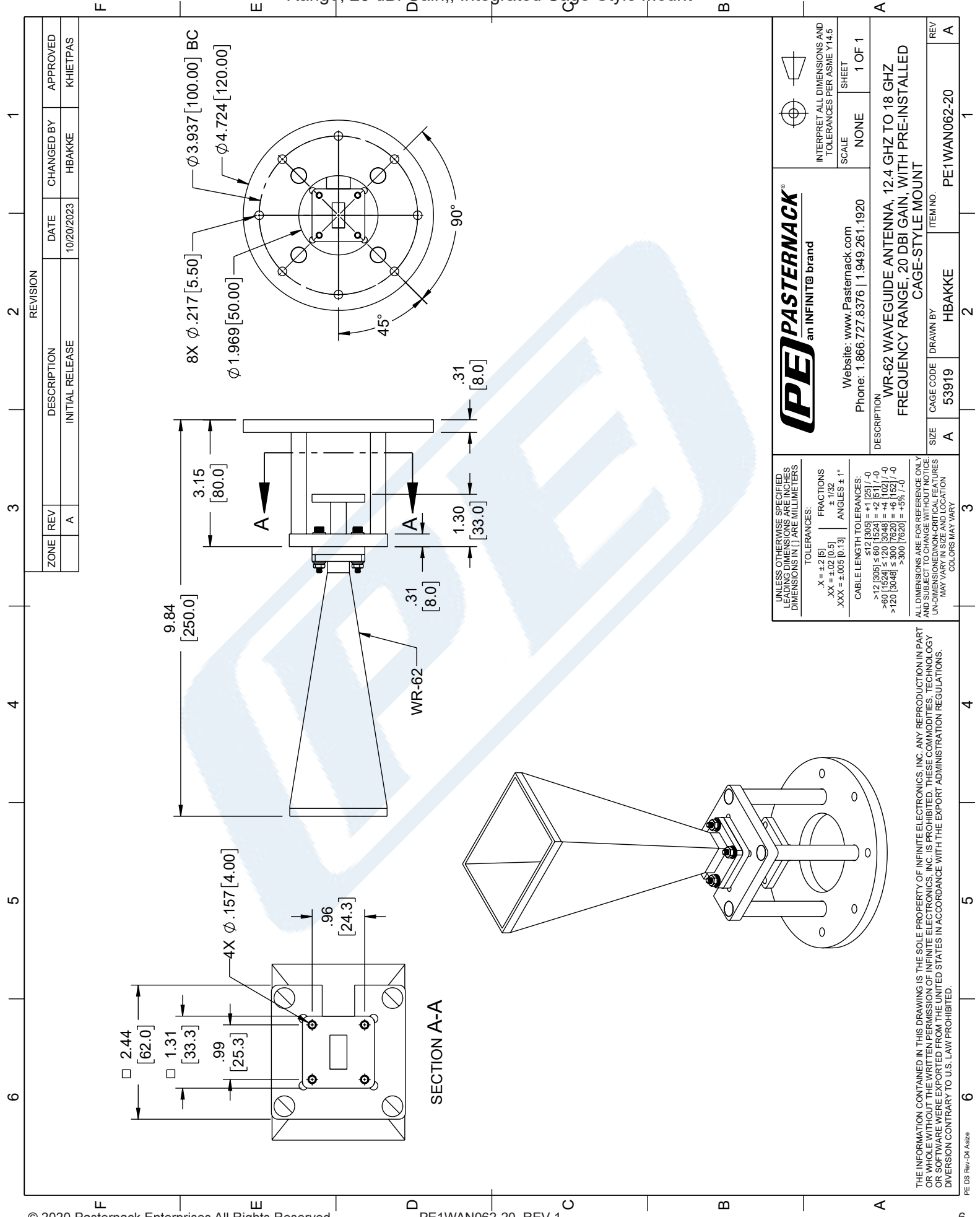
Click the following link (or enter part number in "SEARCH" on website) to obtain additional part information including price, inventory and certifications: [WR-62 Waveguide Antenna, 12.4 GHz to 18 GHz Frequency Range, 20 dBi Gain,, Integrated Cage-Style Mount PE1WAN062-20](https://www.pasternack.com/wr-62-waveguide-antenna-12.4-ghz-to-18-ghz-frequency-range-20-dbi-gain-integrated-cage-style-mount-pe1wan062-20)

URL: <https://www.pasternack.com/wr-62-waveguide-antenna-12.4-ghz-to-18-ghz-frequency-range-20-dbi-gain-integrated-cage-style-mount-pe1wan062-20-p.aspx>

The information contained in this document is accurate to the best of our knowledge and representative of the part described herein. It may be necessary to make modifications to the part and/or the documentation of the part, in order to implement improvements. Pasternack reserves the right to make such changes as required. Unless otherwise stated, all specifications are nominal. Pasternack does not make any representation or warranty regarding the suitability of the part described herein for any particular purpose, and Pasternack does not assume any liability arising out of the use of any part or documentation.

# PE1WAN062-20 CAD Drawing

WR-62 Waveguide Antenna, 12.4 GHz to 18 GHz Frequency Range, 20 dBi Gain,, Integrated Cage-Style Mount



ZONE	REV	DESCRIPTION	DATE	CHANGED BY	APPROVED
	A	INITIAL RELEASE	10/20/2023	HBAKKE	KHIETPAS

REVISION	
1	

		INTERPRET ALL DIMENSIONS AND TOLERANCES PER ASME Y14.5 SCALE NONE SHEET 1 OF 1	
Website: www.Pasternack.com Phone: 1.866.727.8376   1.949.261.1920		DESCRIPTION WR-62 WAVEGUIDE ANTENNA, 12.4 GHZ TO 18 GHZ FREQUENCY RANGE, 20 DBI GAIN, WITH PRE-INSTALLED CAGE-STYLE MOUNT	
SIZE	CAGE CODE	DRAWN BY	ITEM NO.
A	53919	HBAKKE	PE1WAN062-20

UNLESS OTHERWISE SPECIFIED, ALL DIMENSIONS ARE IN INCHES. DIMENSIONS IN PARENTHESES ARE IN MILLIMETERS.

TOLERANCES:  
 X = ±.2 [5]  
 XX = ±.02 [0.5]  
 XXX = ±.005 [0.13]

FRACTIONS  
 ± 1/32  
 ANGLES ± 1°

CABLE LENGTH TOLERANCES:  
 ≤ 12 [305] = ±.125 [-0]  
 ≤ 60 [1524] = ±.25 [-0]  
 ≤ 120 [3048] = ±.5 [-0]  
 ≤ 300 [7620] = ±1.0 [-0]  
 > 300 [7620] = ±5% [-0]

ALL DIMENSIONS ARE FOR REFERENCE ONLY. UNLESS OTHERWISE SPECIFIED, ALL DIMENSIONS ARE IN INCHES. DIMENSIONS IN PARENTHESES ARE IN MILLIMETERS. DIMENSIONS ON CRITICAL FEATURES MAY VARY IN SIZE AND LOCATION. COLORS MAY VARY.

THE INFORMATION CONTAINED IN THIS DRAWING IS THE SOLE PROPERTY OF INFINITE ELECTRONICS, INC. ANY REPRODUCTION IN PART OR WHOLE WITHOUT THE WRITTEN PERMISSION OF INFINITE ELECTRONICS, INC. IS PROHIBITED. THESE COMMODITIES, TECHNOLOGY OR SOFTWARE WERE EXPORTED FROM THE UNITED STATES IN ACCORDANCE WITH THE EXPORT ADMINISTRATION REGULATIONS. DIVERSION CONTRARY TO U.S. LAW PROHIBITED.