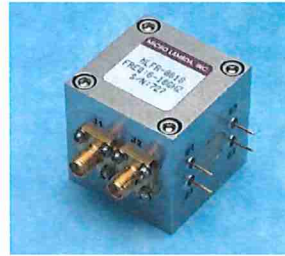




FEATURES

- 6-20 GHz Frequency Coverage
- Excellent Linearity
- 1.4" Cube Package



DESCRIPTION

The MICRO LAMBDA MLFRW-Series of Band Reject filters cover the frequency range of 6 GHz to 20 GHz. These filters offer excellent notch depth and precise bandwidths for rejection of unwanted signals. 3 dB bandwidths are 250 MHz with 40 dB bandwidths of 80 MHz are available in standard designs. Modified 3 dB and 40 dB bandwidths are available on special order. These filters are well suited for broadband receivers and a variety of EW system applications. Standard configuration of 1.4" cubes are provided and can also be ordered with an Analog or Digital Driver.

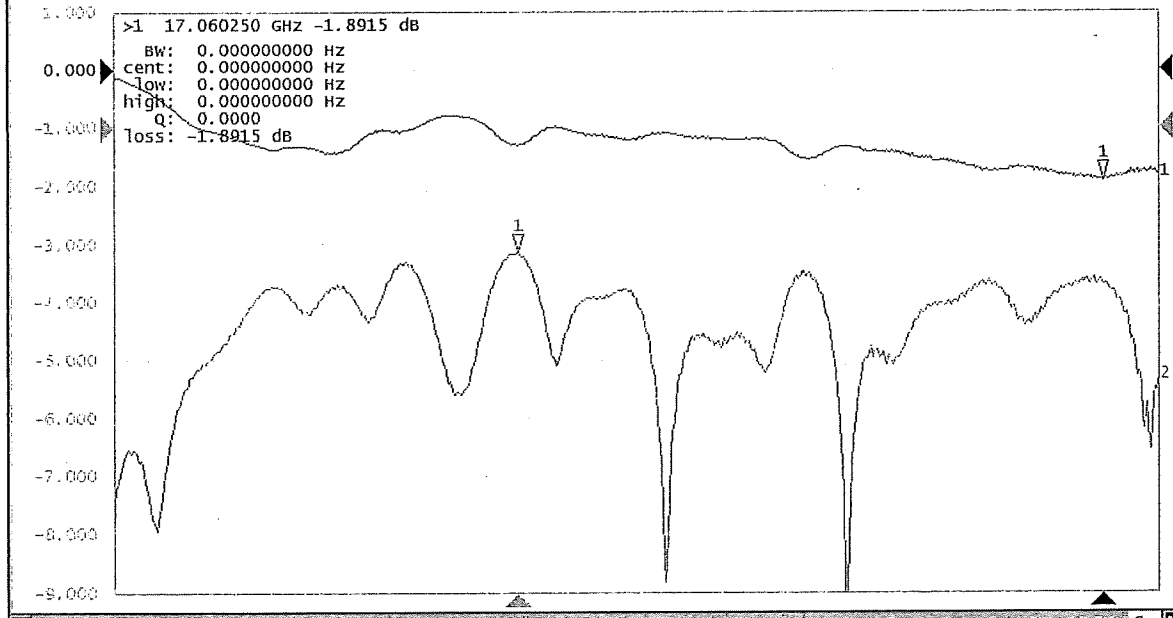
ELECTRICAL AND PERFORMANCE SPECIFICATIONS

Guaranteed Specifications at -0° to +60° C Case Temperature ^(Note 1)

Model No.	MLFRW-0618	MLFRW-0620
Frequency Range, Min.	6-18 GHz	6-20 GHz
Reject Bandwidth		
@ 40 dB, Min.	80 MHz	80 MHz
@ 3 dB, Max.	250 MHz	280 MHz
Passband VSWR, Max.	2:1	2:1
Passband Insertion Loss, Max.	2.0 dB	2.2 dB
Passband Range	DC-18 GHz	DC-20 GHz
Spurious, Max	5 dB	5 dB
Limiting Level, Min.	+10 dBm	+10 dBm
Max. Input Power, No Damage.	+28 dBm	+28 dBm
Tuning Coil Characteristics		
Tuning Sensitivity, Typ.	19 MHz/mA	19 MHz/mA
Linearity, Max.	+/- 5 MHz	+/- 7 MHz
Hysteresis, Typ.	12 MHz	15 MHz
Temperature Drift (0 to 60 deg. C), Max.	15 MHz	15 MHz
Coil Resistance, Typ.	6 Ohms	6 Ohms
Coil Inductance, Typ.	60 mH	60 mH
Heater Voltage	+28 Vdc	+28 Vdc
Heater Current-Surge, Max. @ 25 deg. C.	300 mA	300 mA
Steady State @ 25 deg. C.	100 mA	100 mA
Case Style	21-018	21-018

Note: 1.) Extended Temp. Range Available.

Tr1 S21 Log Mag 1.000dB/ Ref 0.000dB [F2]
 Tr2 S11 Log Mag 5.000dB/ Ref 0.000dB [F2]



Start: 16.000 GHz Stop: 18.000 GHz Cor: 1
 ch1 Tr1 S21 >1 17.060250 GHz -1.8915 dB
 ch1 Tr2 S11 1 17.0362500 GHz -10.599 dB

System

Print

Abort Printing

Printer Setup...

Invert Image

ON

Dump Screen Image

Multiport Test Set Setup

Misc Setup

Backlight

ON

Firmware Revision

Service Menu

Help

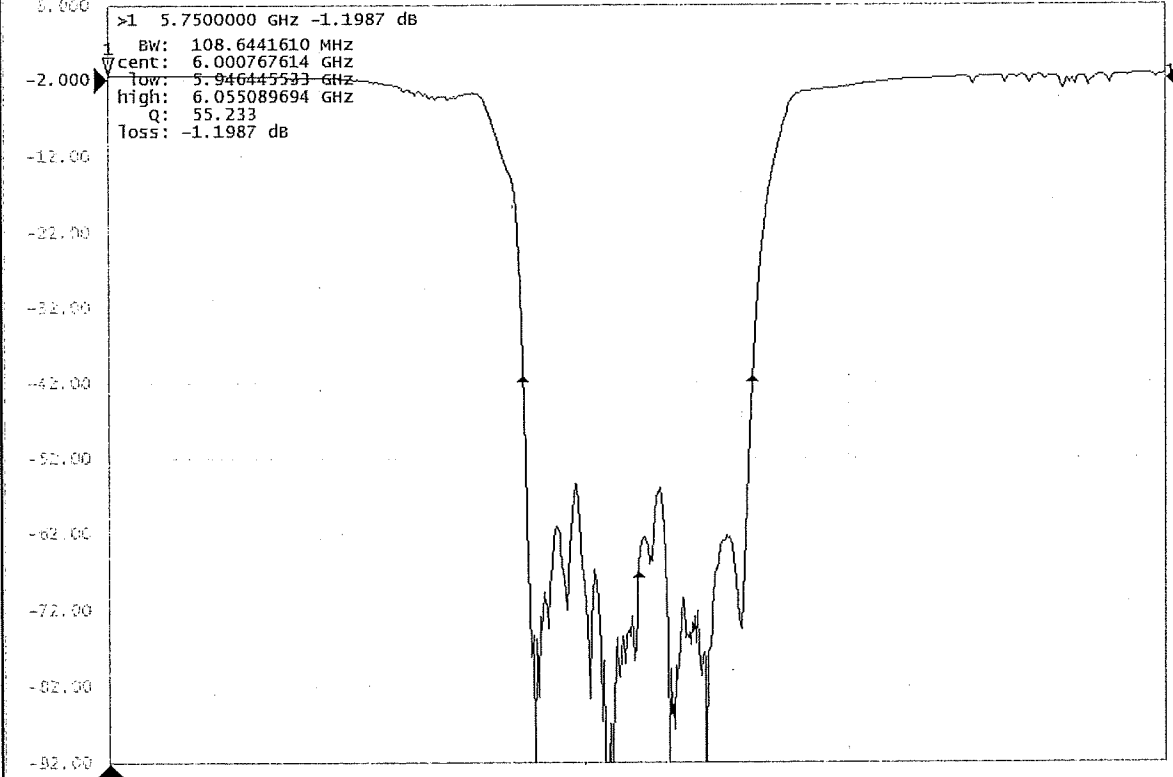
Return

Target value not found

Meas 2001-01-01 00:21

Center 6 GHz

Tr1 S21 Log Mag 10.00dB/ Ref -2.000dB [F2]



Start: 5.000 GHz Stop: 6.500 GHz Cor: 1

Stimulus

Start

5.7500 GHz

Stop

6.2500 GHz

Center

6.0000 GHz

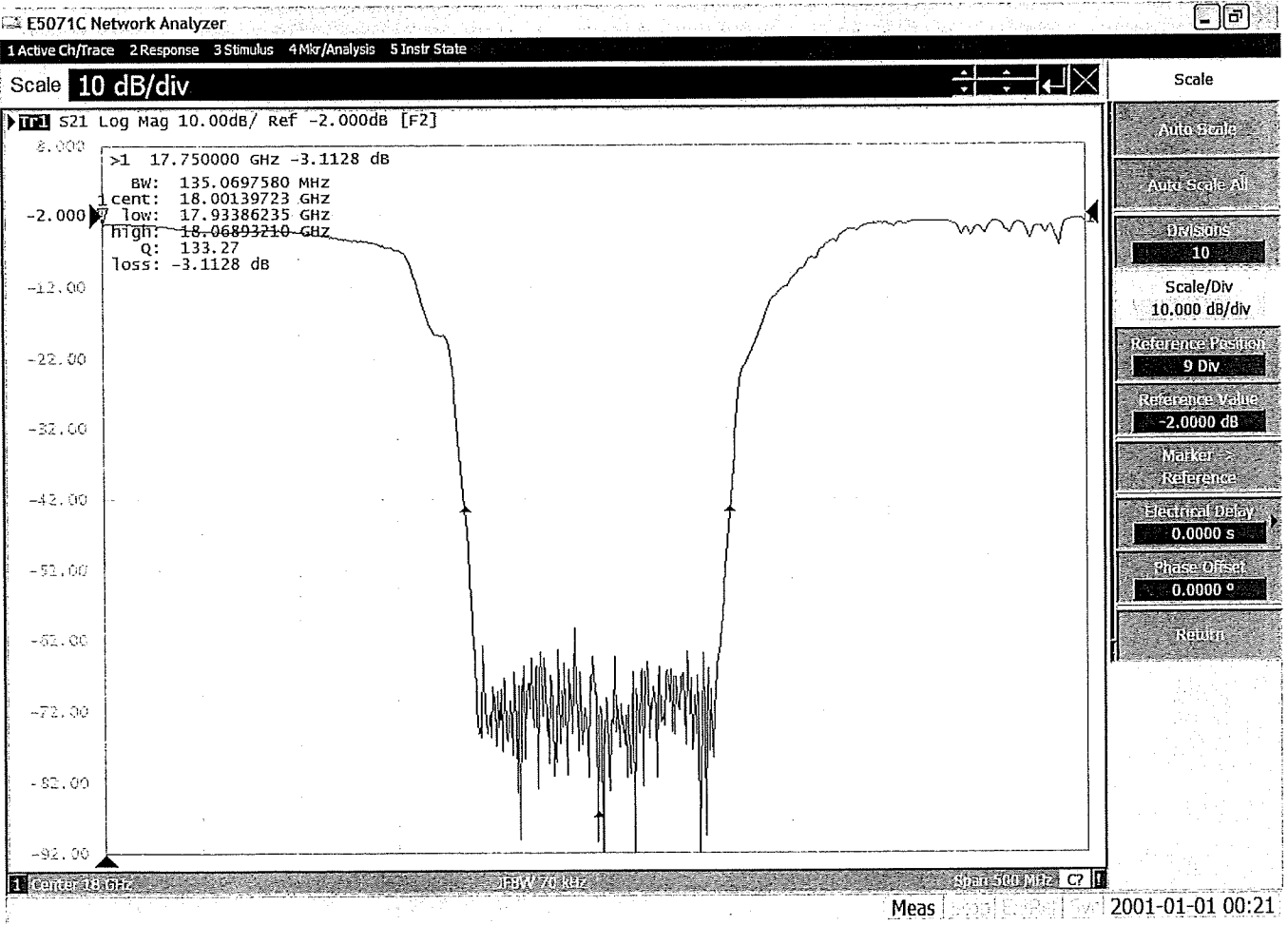
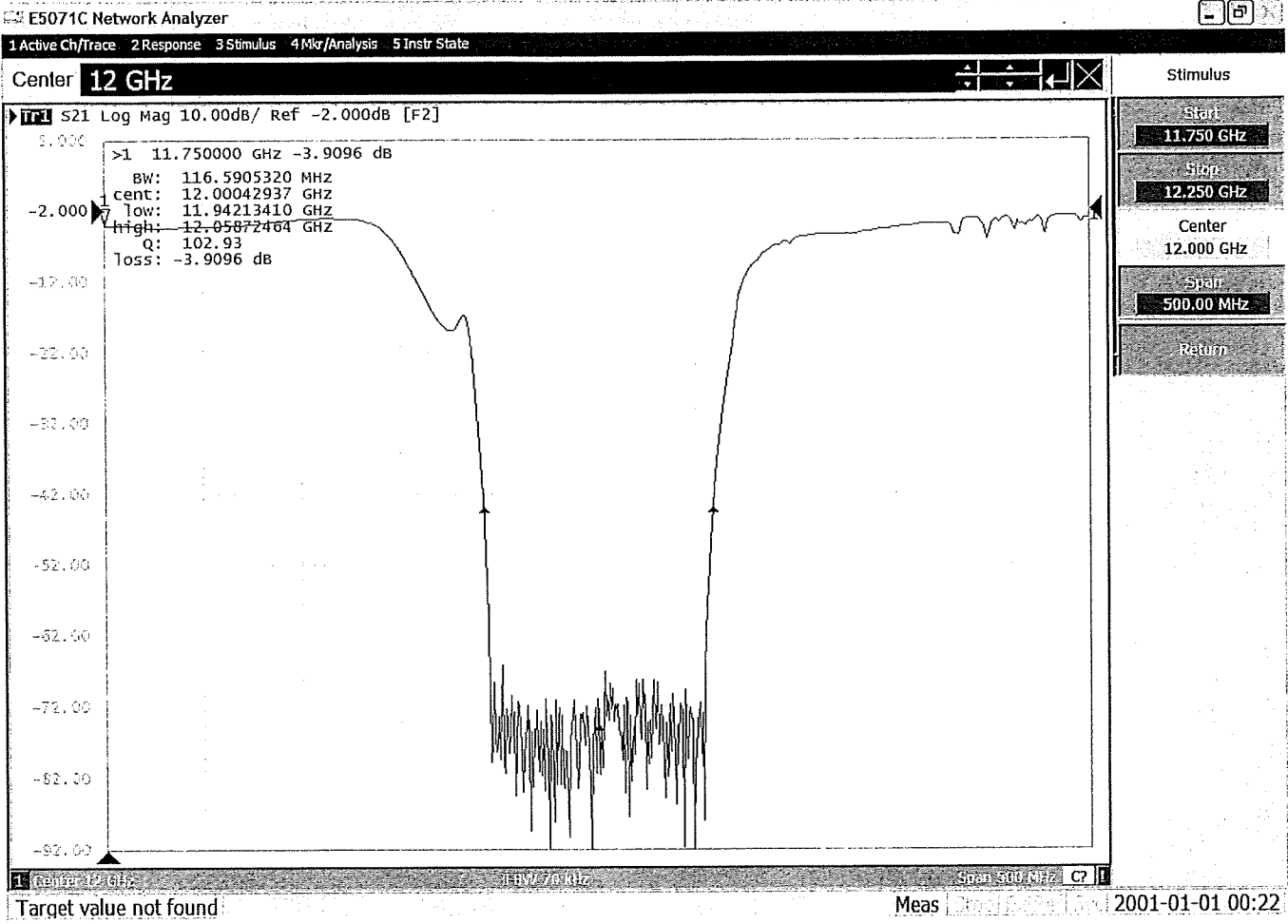
Span

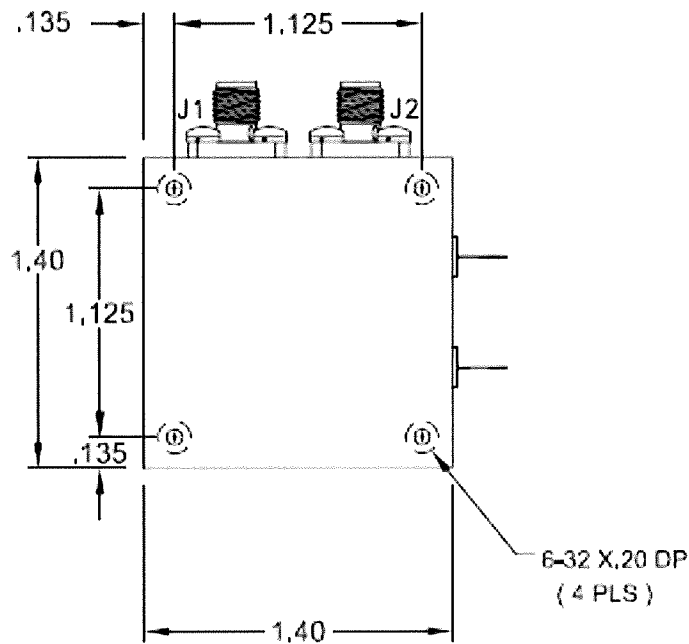
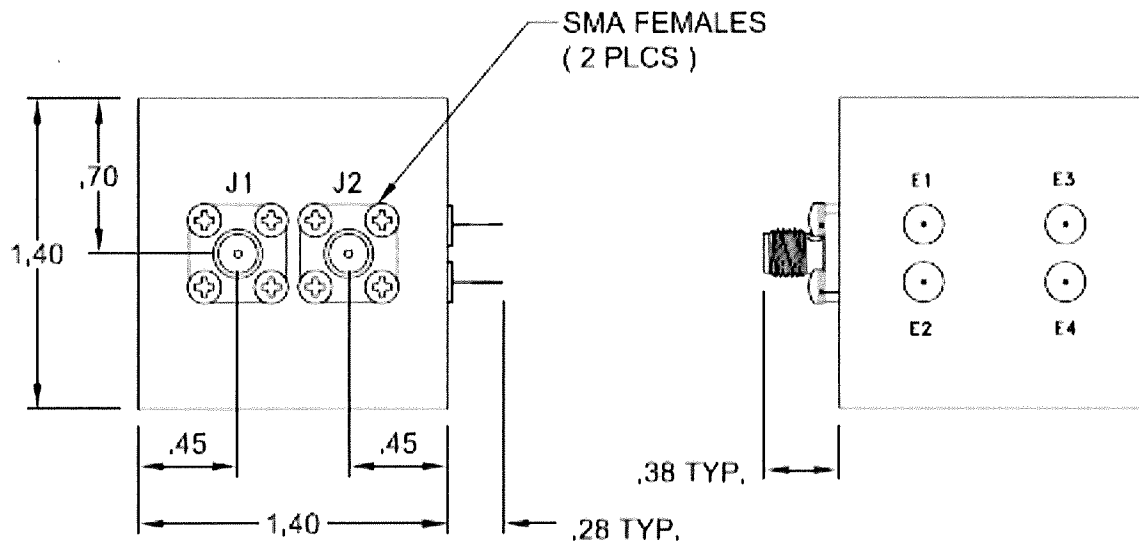
500.00 MHz

Return

Target value not found

Meas 2001-01-01 00:23





CONN	FUNCTIONS
J1	RF IN
J2	RF OUT
E1	+ COIL
E2	+ HEATER
E3	- HEATER
E4	- COIL

* POSITION OF E1 & E4
SELECTED AT FACTORY
FOR COIL POLARITY

WEIGHT : 13 Oz. MAX

ALL DIMENSIONS UNLESS OTHERWISE SPECIFIED
AS SHOWN
TOLERANCES UNLESS SPECIFIED:
FRACTIONS DECIMALS ANGLES
▲ .005 .0015 .010
▲ .010 .0025 .015
▲ .015 .0035 .020
▲ .020 .005 .025
▲ .025 .0075 .030
▲ .030 .010 .035
▲ .035 .0125 .040
▲ .040 .015 .045
▲ .045 .0175 .050
▲ .050 .020 .055
▲ .055 .0225 .060
▲ .060 .025 .065
▲ .065 .0275 .070
▲ .070 .030 .075
▲ .075 .0325 .080
▲ .080 .035 .085
▲ .085 .0375 .090
▲ .090 .040 .095
▲ .095 .0425 .100
▲ .100 .045 .105
▲ .105 .0475 .110
▲ .110 .050 .115
▲ .115 .0525 .120
▲ .120 .055 .125
▲ .125 .0575 .130
▲ .130 .060 .135
▲ .135 .0625 .140
▲ .140 .065 .145
▲ .145 .0675 .150
▲ .150 .070 .155
▲ .155 .0725 .160
▲ .160 .075 .165
▲ .165 .0775 .170
▲ .170 .080 .175
▲ .175 .0825 .180
▲ .180 .085 .185
▲ .185 .0875 .190
▲ .190 .090 .195
▲ .195 .0925 .200
▲ .200 .095 .205
▲ .205 .0975 .210
▲ .210 .100 .215
▲ .215 .1025 .220
▲ .220 .105 .225
▲ .225 .1075 .230
▲ .230 .110 .235
▲ .235 .1125 .240
▲ .240 .115 .245
▲ .245 .1175 .250
▲ .250 .120 .255
▲ .255 .1225 .260
▲ .260 .125 .265
▲ .265 .1275 .270
▲ .270 .130 .275
▲ .275 .1325 .280
▲ .280 .135 .285
▲ .285 .1375 .290
▲ .290 .140 .295
▲ .295 .1425 .300
▲ .300 .145 .305
▲ .305 .1475 .310
▲ .310 .150 .315
▲ .315 .1525 .320
▲ .320 .155 .325
▲ .325 .1575 .330
▲ .330 .160 .335
▲ .335 .1625 .340
▲ .340 .165 .345
▲ .345 .1675 .350
▲ .350 .170 .355
▲ .355 .1725 .360
▲ .360 .175 .365
▲ .365 .1775 .370
▲ .370 .180 .375
▲ .375 .1825 .380
▲ .380 .185 .385
▲ .385 .1875 .390
▲ .390 .190 .395
▲ .395 .1925 .400
▲ .400 .195 .405
▲ .405 .1975 .410
▲ .410 .200 .415
▲ .415 .2025 .420
▲ .420 .205 .425
▲ .425 .2075 .430
▲ .430 .210 .435
▲ .435 .2125 .440
▲ .440 .215 .445
▲ .445 .2175 .450
▲ .450 .220 .455
▲ .455 .2225 .460
▲ .460 .225 .465
▲ .465 .2275 .470
▲ .470 .230 .475
▲ .475 .2325 .480
▲ .480 .235 .485
▲ .485 .2375 .490
▲ .490 .240 .495
▲ .495 .2425 .500
▲ .500 .245 .505
▲ .505 .2475 .510
▲ .510 .250 .515
▲ .515 .2525 .520
▲ .520 .255 .525
▲ .525 .2575 .530
▲ .530 .260 .535
▲ .535 .2625 .540
▲ .540 .265 .545
▲ .545 .2675 .550
▲ .550 .270 .555
▲ .555 .2725 .560
▲ .560 .275 .565
▲ .565 .2775 .570
▲ .570 .280 .575
▲ .575 .2825 .580
▲ .580 .285 .585
▲ .585 .2875 .590
▲ .590 .290 .595
▲ .595 .2925 .600
▲ .600 .295 .605
▲ .605 .2975 .610
▲ .610 .300 .615
▲ .615 .3025 .620
▲ .620 .305 .625
▲ .625 .3075 .630
▲ .630 .310 .635
▲ .635 .3125 .640
▲ .640 .315 .645
▲ .645 .3175 .650
▲ .650 .320 .655
▲ .655 .3225 .660
▲ .660 .325 .665
▲ .665 .3275 .670
▲ .670 .330 .675
▲ .675 .3325 .680
▲ .680 .335 .685
▲ .685 .3375 .690
▲ .690 .340 .695
▲ .695 .3425 .700
▲ .700 .345 .705
▲ .705 .3475 .710
▲ .710 .350 .715
▲ .715 .3525 .720
▲ .720 .355 .725
▲ .725 .3575 .730
▲ .730 .360 .735
▲ .735 .3625 .740
▲ .740 .365 .745
▲ .745 .3675 .750
▲ .750 .370 .755
▲ .755 .3725 .760
▲ .760 .375 .765
▲ .765 .3775 .770
▲ .770 .380 .775
▲ .775 .3825 .780
▲ .780 .385 .785
▲ .785 .3875 .790
▲ .790 .390 .795
▲ .795 .3925 .800
▲ .800 .395 .805
▲ .805 .3975 .810
▲ .810 .400 .815
▲ .815 .4025 .820
▲ .820 .405 .825
▲ .825 .4075 .830
▲ .830 .410 .835
▲ .835 .4125 .840
▲ .840 .415 .845
▲ .845 .4175 .850
▲ .850 .420 .855
▲ .855 .4225 .860
▲ .860 .425 .865
▲ .865 .4275 .870
▲ .870 .430 .875
▲ .875 .4325 .880
▲ .880 .435 .885
▲ .885 .4375 .890
▲ .890 .440 .895
▲ .895 .4425 .900
▲ .900 .445 .905
▲ .905 .4475 .910
▲ .910 .450 .915
▲ .915 .4525 .920
▲ .920 .455 .925
▲ .925 .4575 .930
▲ .930 .460 .935
▲ .935 .4625 .940
▲ .940 .465 .945
▲ .945 .4675 .950
▲ .950 .470 .955
▲ .955 .4725 .960
▲ .960 .475 .965
▲ .965 .4775 .970
▲ .970 .480 .975
▲ .975 .4825 .980
▲ .980 .485 .985
▲ .985 .4875 .990
▲ .990 .490 .995
▲ .995 .4925 .1000

DATE: 10/15/08
DRAWN: H. J. GILBERT
CHECKED:
APPROVED:
DATE:



MICRO LAMBDA WIRELESS, INC.

BAND REJECT FILTER (1.4")

QTY: 1000
CASE ID: ORN63
REV: 21-018
REV: C