



# WR340 to N adapter 2.2~3.3 GHz

# ADAWR340-N

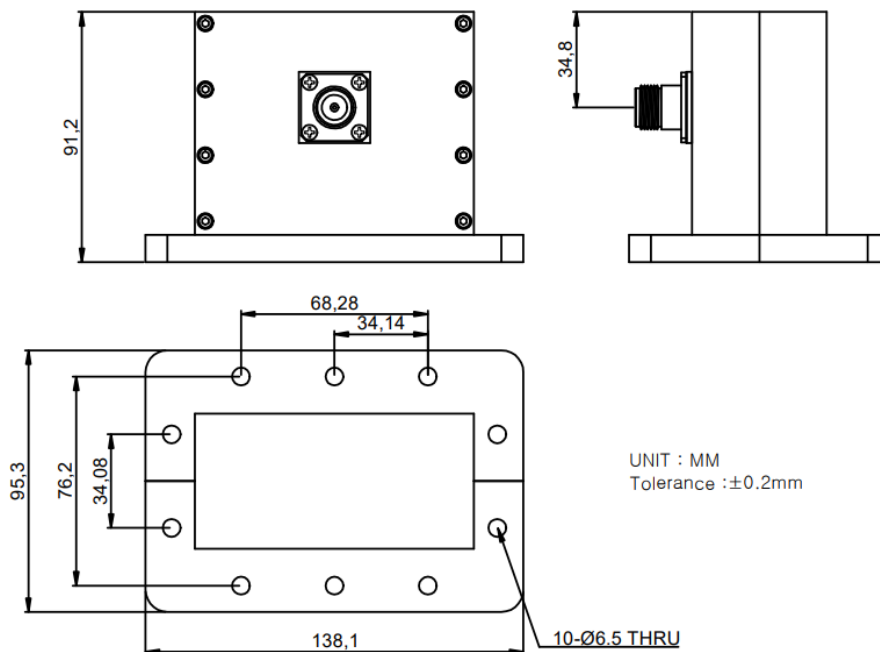
## Features

- Low insertion loss
- Robust design for shock and vibration
- RoHS Compliant

## Electrical Characteristics

Parameter	Units	Specifications
Frequency	GHz	2.2~3.3
Insertion Loss	dB Max.	0.25
VSWR	Max.	1.3 : 1 @2.2~3.3 1.2 : 1 @2.4~2.5
POWER CW	W	800
Body Material	-	Aluminum
Connector type	-	N-Female
Waveguide type	-	WR340

## Mechanical Dimensions



If you do not find appropriate frequency range, please contact with [sales@admotech.com](mailto:sales@admotech.com)